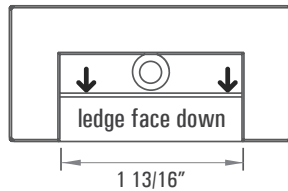
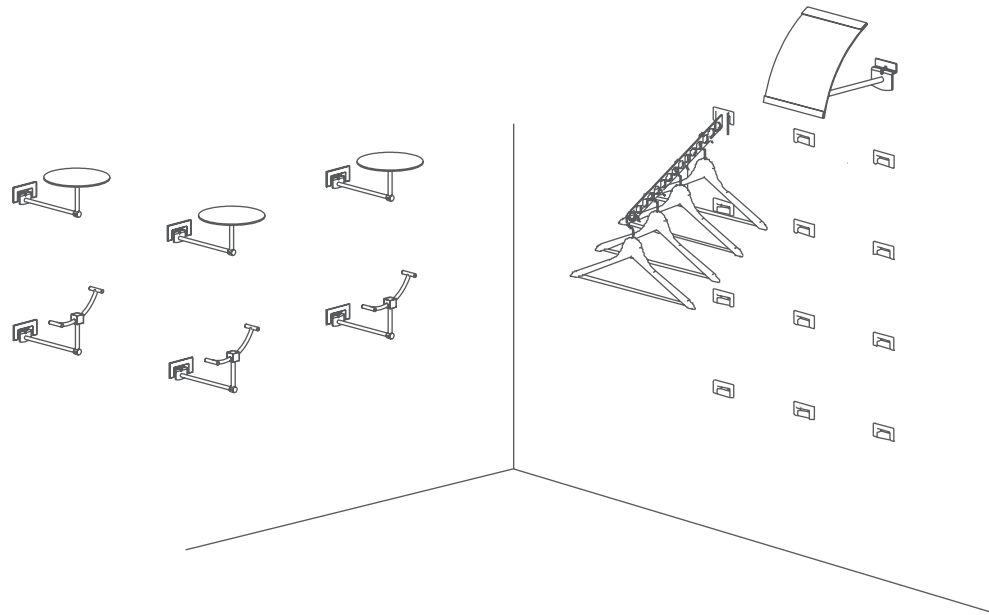
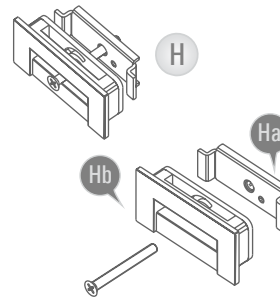


SoloSlat for Drywall / Sheet Rock - SW1102SP 1/2-5/8" Thic



Suitable for slatwall back plate up to 1 3/4"



Drywall/Sheet Rock
1/2-5/8" Thic
SW1102SP

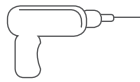
Please Note:

For mounting on sheet rock/drywall, we recommend using 3/16" Molly bolts or Toggle bolts.

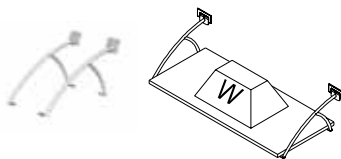
FYI: Tools and mounting hardware are not provided



Plaster Saw

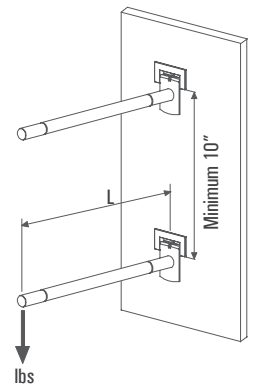


Drill



For increasing the weight load capacity of these drywall fixtures, use SW191SP shelf brackets.

Distance from Wall (L)	Dispersed (LBS)			
	Panel	Drywall	Acrylic	Acrylic
Thickness	3/4"	1/2-5/8"	3/8"	3/16"
4"	132	32	33	22
6"	121	26	28.5	20
8"	110	22	24	17.5
10"	99	20	22	15
12"	88	16	17.5	13
14"	77	10	14	
16"	66		11	



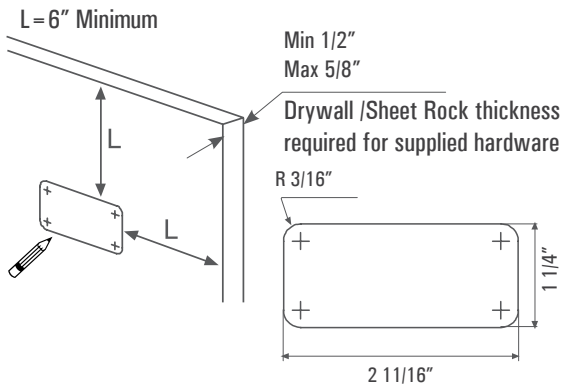
The weight load table refers to a panel that contains at least two SoloSlat fixtures with a minimum vertical distance of 10" between one another.

Note: The weight refers to the SoloSlat's ability to support a certain weight load. The final result depends on the type of wall, anchor, hardware and installation. Individual accessory weight loads need to be taken into account.

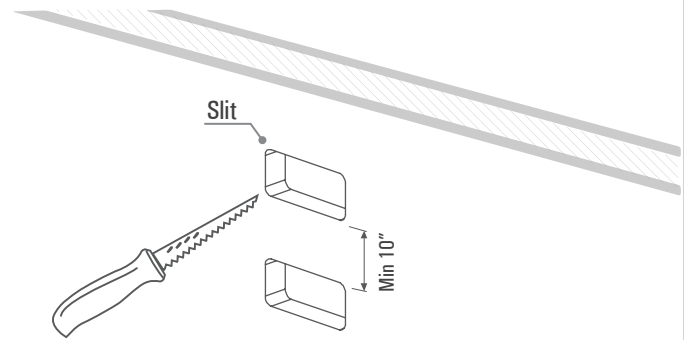
The maximum weight load is based on an evenly distributed weight load between 2 points
The maximum concentrated weight load is approximately half the maximum evenly distributed load

SoloSlat for Drywall / Sheet Rock - SW1102SP
1/2-5/8" Thic

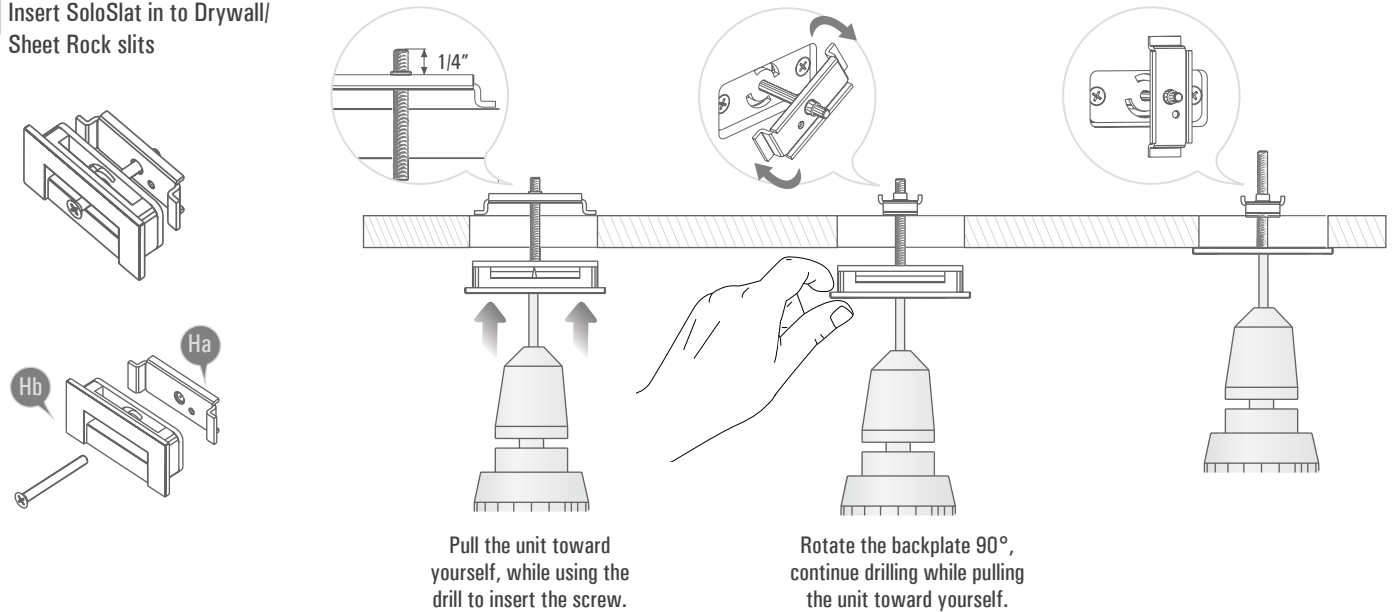
1 Position, mark slits as required, using the measurements below



2 Cut slits in Drywall/Sheet Rock with Plaster Saw



3 Insert SoloSlat in to Drywall/Sheet Rock slits



Disassembly

