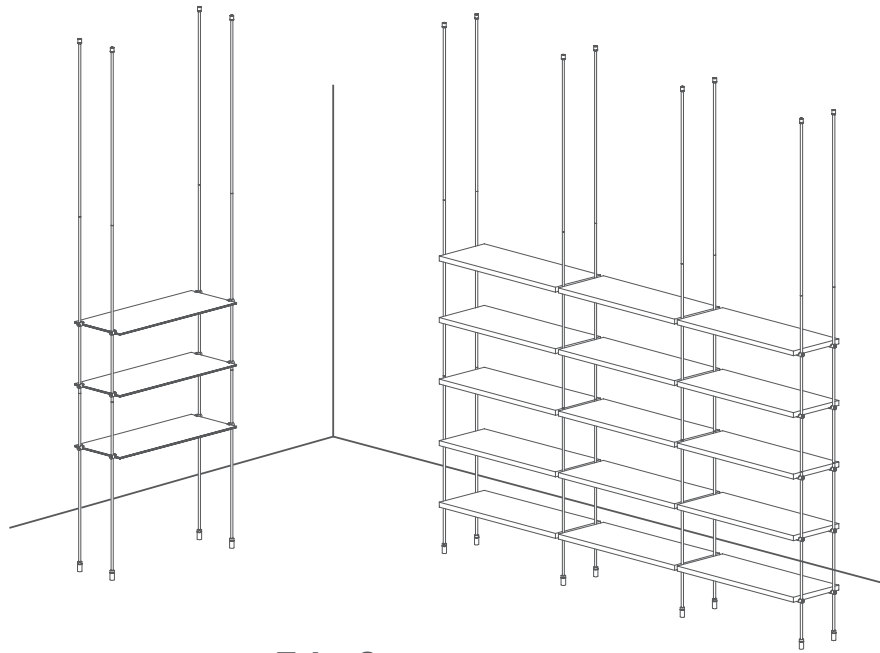
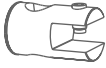
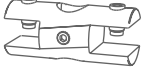
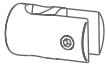
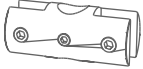


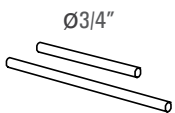

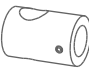


Wall to Floor - H Max - 10'

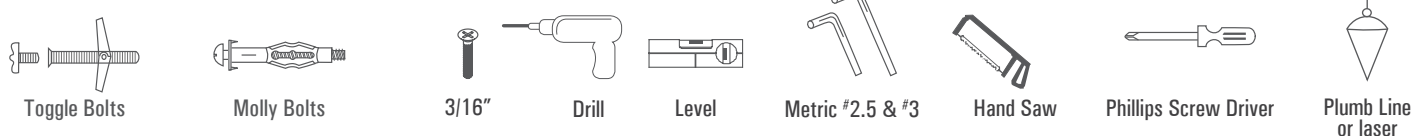


Tube Components

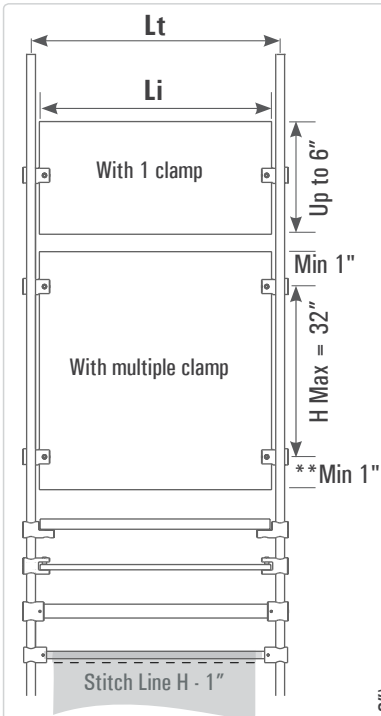
Shelves	Glass Shelf	Wood Shelf	Ceiling to Floor See page 3 for installation
	 AS375ST Side Clamp	 AS376ST Double Clamp	
Posters	Max Thickness 7/16"		Tube for Panel and SoloSlat
	 AS373ST Side Clamp	 AS374ST Double Clamp	
Hangrails and Banners	 AS381ST Side Clamp	 AS382ST Double Clamp	 Ø3/4" 24" - AS34PL 36" - AS35PL
	 AS385ST Adapter	 AS379ST Side Clamp	

Please Note:
For mounting on sheet rock/drywall, we recommend using 3/16" Molly bolts or Toggle bolts.

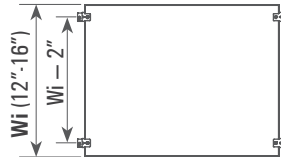
Recommended Tools:
FYI: Tools and mounting hardware are not provided



Preparation - Measurement and Max Weight Load



	Shelf	Hanging Bar	Banner	Sign Panel	Poster
Lc - Tubes Distance	Glass - Li + 3/4" Wood - Li + 7/8"	Li + 5/8"	Li + 5/8"	Li + 7/8"	Li + 3/4"
Li - Item Length	36"	24" \varnothing 3/4"	28"	48"	40"
		36" \varnothing 3/4"			
		39" \varnothing 1/2"			
Wc - Tube Distance	Wi - 2"	-	-	-	-
Wi - Item Width	12"-16"	-	-	-	-
H - Item Height	-	-	Up to 6'	Place clamps every 32"	
Item Thickness	Glass - up to 3/8" Wood - 3/4" and up	-	-	Acrylic - Up to 3/8"	7/16"
				Wood - Min 3/4"	
Sign Width	-	-	Li Bar - 3/4"	Up to 48"	Up to 40"



**Leave from clamps to the top/bottom minimum of 1"

Max Weight Load (lbs)

Shelves	Thickness	24"	36"	Thickness	lbs per support
Tempered Glass**	1/4"	89lbs	42lbs	Banner	18
	5/16"	120lbs*	70lbs	Poster	44
	3/8"	120lbs*	120lbs	Sign Panel	18
MDF	3/4"	80lbs	30lbs		

*Limited by weight load capacity of shelf supports

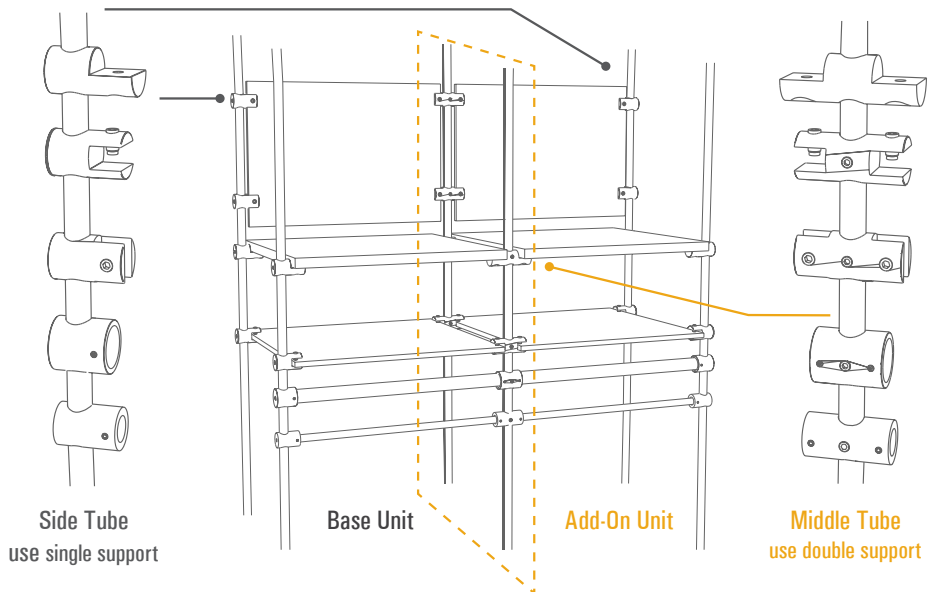
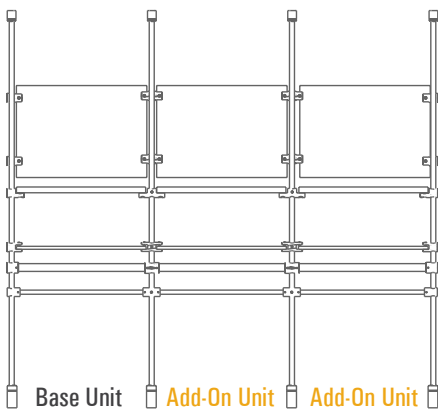
** UDIZINE recommends using tempered glass shelves only! If you plan to install regular glass shelves, note that the maximum weight load for regular glass is approx. 1/4 of tempered glass.

The maximum weight load is based on an evenly distributed weight load between 2 points

The maximum concentrated weight load is approximately half the maximum evenly distributed load

Base Unit and Add-On Setting

For settings with 2 or more fields, use the single supports for the side Tubes, and double supports for middle Tubes



Tube Installation - Ceiling to Floor

Ceiling to Floor - Up to 10'

1 Mark the start points as follows:
 Back Tube (H2): Min 2" distance from the wall
 Front Tube (H1): $Wi - 2" + Y$ distance from the wall
 Calculate the total length of the setting:
 $Total L = [Lc - \text{see page 2 for details}] \times [\text{Number of items}]$,
 and mark the end points of the setting
 Draw a line between each start and end point.
 Mark on the floor the tube positions Lc along each marked line

2 Mark the corresponding points on the ceiling with plumb line or laser beam level

3 Detach Parts A and C

4 Mount Parts A1 to the ceiling and C1 to the floor directly below each Part A1

5 Prepare Tube B. Attach 2 Parts of B. Female side up

6 Slide Tubes B through A3. Securely fasten A2 on to the threaded area of B

7 Securely fasten A3 to A1

8 Place all clamps/connectors on the tubes at required heights- SEE PAGE 5 FOR DETAILS

9 Measure from bottom of 2 installed tubes to top of C1 = H
 Cut the remaining Tube to length:
 $H + 3/16"$

10 Slide C2, C3 and C4 on to the Tube in the order illustrated. Fasten C2

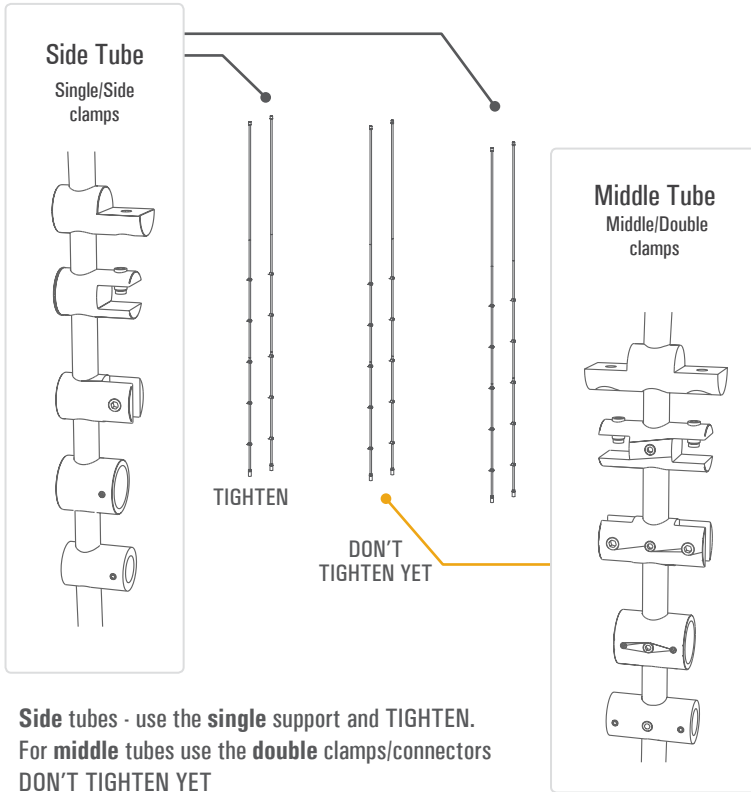
11 Slightly push Tube up and slide in to Part C1. Firmly extend the Tube using the built in tensioner, and fasten C4 to C1 until threaded area is no longer visible

Add Clamps, Connectores and Accessories

Note: Add the items in the order they appear including Parts C.

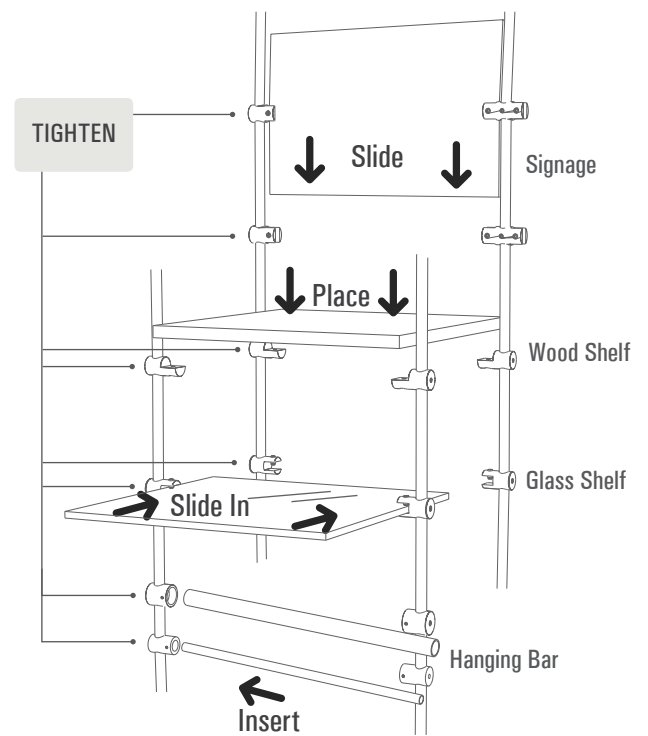
1 Place on Required Height

Place all clamps/connectors on the tubes at required heights, in the order of their appearance on the display



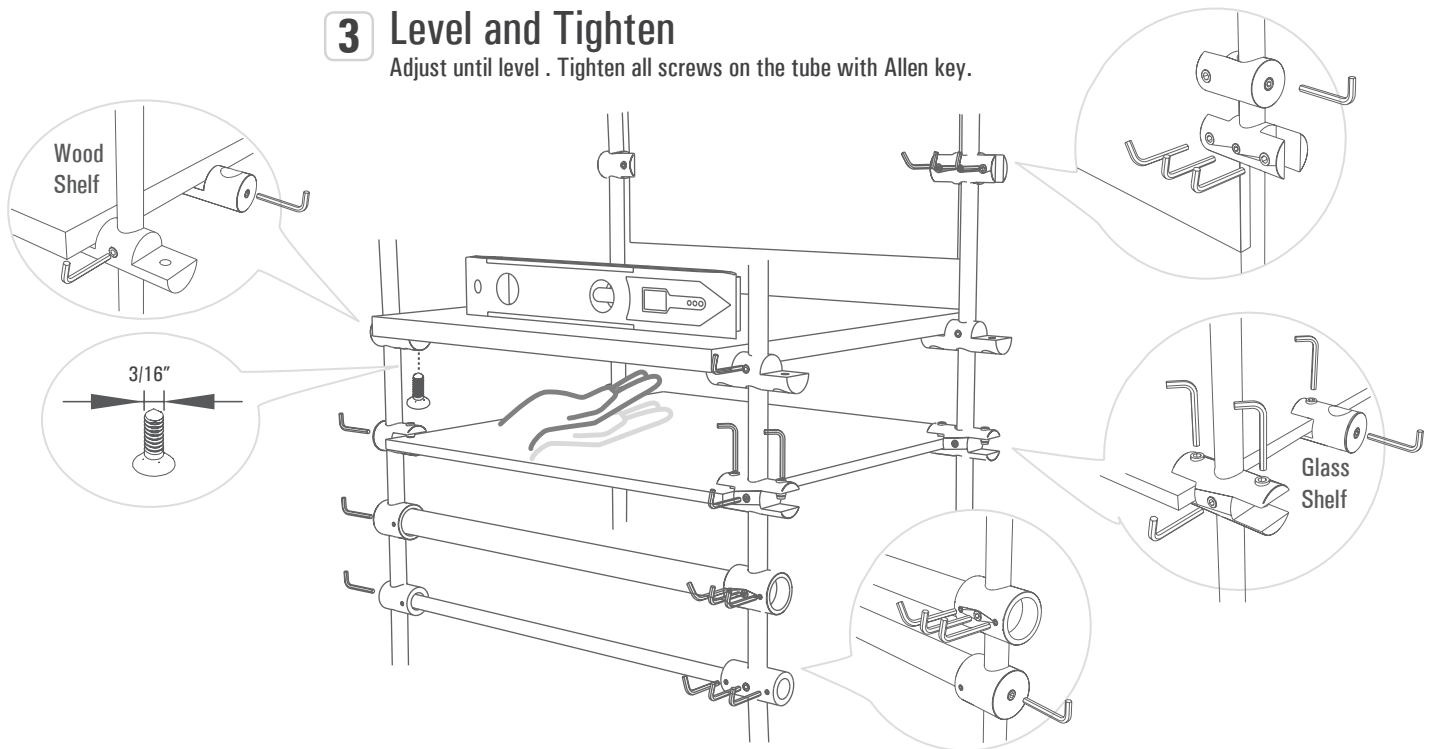
2 Slide, Place or Insert

Add shlves, hanging bar and signage as illustrated below. Loosen the screw on right tube.



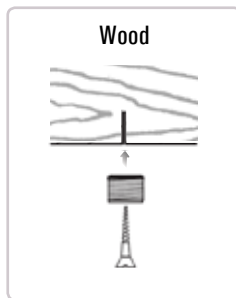
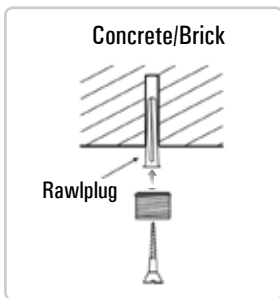
3 Level and Tighten

Adjust until level . Tighten all screws on the tube with Allen key.



Ceiling Mounting Tips

Mounting Directly to Ceiling



- Mounting to wood or concrete ceiling only!
- It is essential to check that the top ceiling fixings are capable to take the weight of the setting & displayed items.
- Use an anchor that is suitable for the ceiling type

Installation Above A Suspended Ceiling

- Note: Mounting directly to a suspended ceiling is prohibited
- If the existing ceiling is not suitable for direct mounting, it is possible to build a lumber frame above a suspended ceiling:
 - Once the lumber frame is created, install lumber beams onto the frame to allow flexibility in locating the ceiling to floor setting.
 - Mount the setting directly to the lumber beams mentioned above.
 - Use an anchor that is suitable for the lumber beam type.

