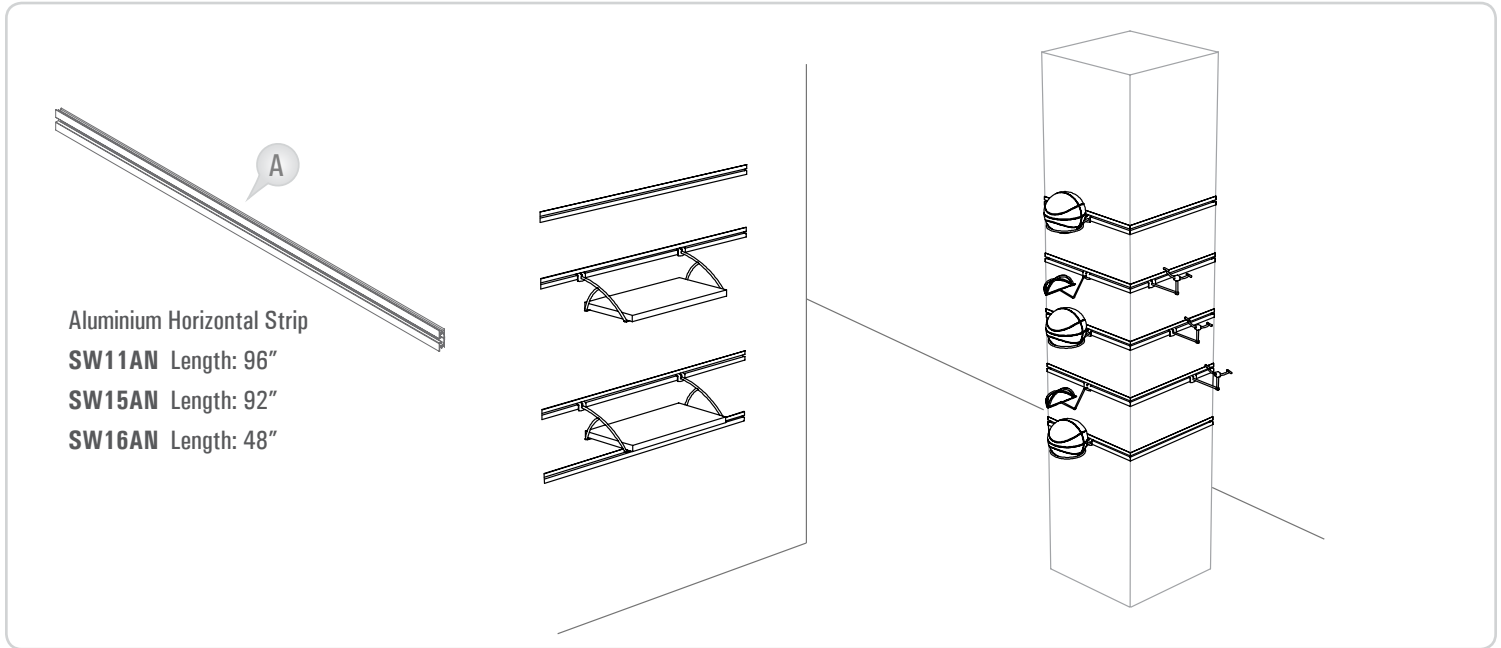


UniSlat Basic - For DryWall 1/2" Thick For Lightweight Display Only



Aluminium Horizontal Strip

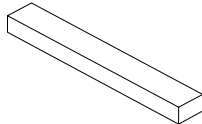
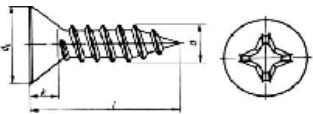
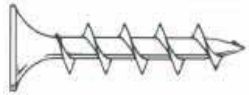

SW11AN Length: 96"

SW15AN Length: 92"

SW16AN Length: 48"

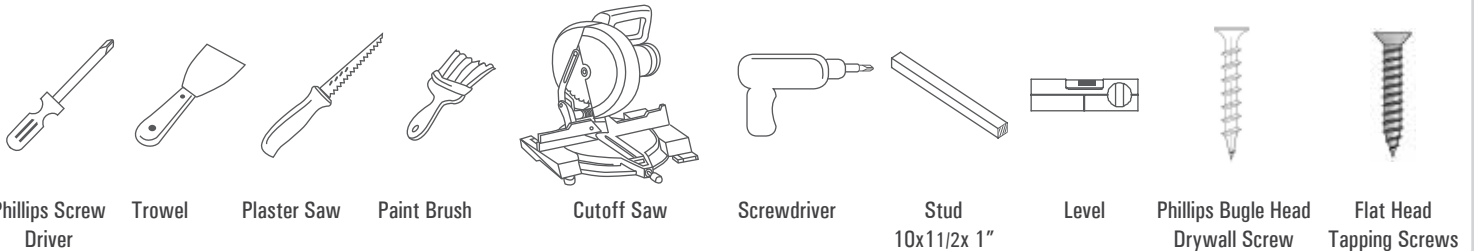
UniSlat Installation Hardware Kit

Each kit suitable for 3-4 strips (depending on distance between supporting points)

Part	Description	Measurement	Material	Qty
	MDF Beam	Stud 10 x 1 1/2 x 1"	Natural MDF density 650 kg/cmb	16
	Flat Head Tapping Screws DIN 7982	#8 x 1 1/2"	White galvanized steel	16
	Phillips Bugle Head Drywall Screw	#8 x 1 1/2"	White galvanized steel	32
	Self-Drilling Screw DIN 7504 N	#8 x 1/2"	White galvanized steel	12

Prepare the wall for installation prior to installing the UniSlat

Tools and mounting hardware are not provided

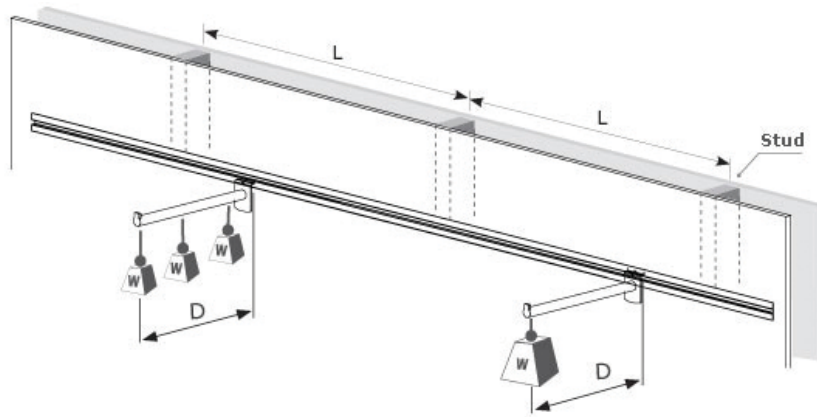


UniSlat Basic - For DryWall 1/2" Thick

Stage 1A : Wall Preparation - On New Wall (for Existing Wall see page 3)

Planning

Determine how many studs are required based on the table below

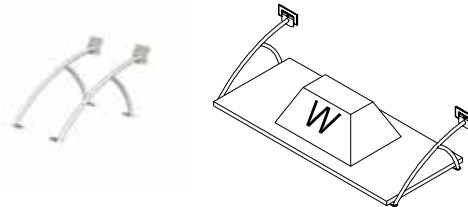


Distance Between Mounting Points (L)

Distance from Wall (D)	Dispersed Load				Concentrated Load			
	8"	12"	16"	20"	8"	12"	16"	20"
2"	40	22	18	13.2	40	22	18	13.2
4"	34	21	13	10	29	18	11	8.8
6"	32	19.5	12	11.5	18	11	7	7
8"	22	14	8.8	5	11	7	4.4	-
10"	13	9	6	3	5.5	4.4	2.2	-
12"	10	7	4.5	2.2	3.5	2	-	-

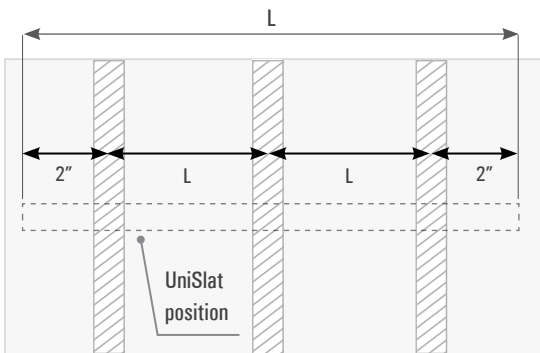
The Max Weight Load Table above is based on drywall thickness of 1/2" and refers to this item only. The Total Max Weight Load limits for all fixtures and accessories in the display need to be taken in to consideration

Increase weight load capacity to 66 lbs using SW191SP



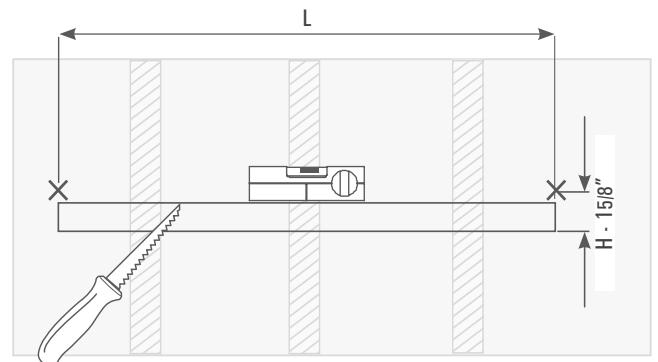
Wall Preparation

- 1 Add studs in correct positions as per table above. The studs at each end must be 2" from the edge



L = Distance based on the table

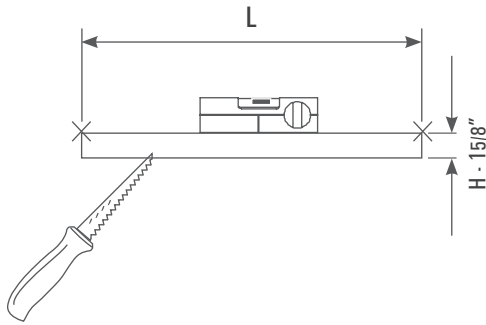
- 2 Before applying the finish to the plaster wall, mark the position and length (L) of required slit on the wall using Part A. Cut slit into wall, 15/8" high, with plaster saw



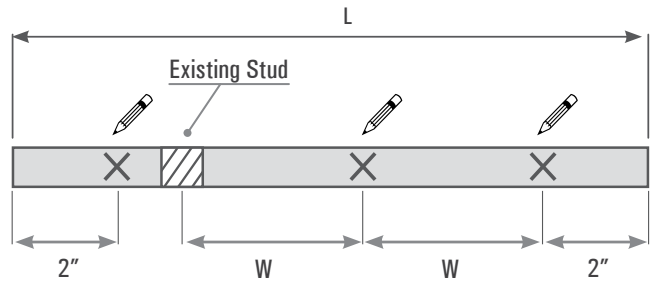
UniSlat Basic - For DryWall 1/2" Thick

Stage 1B : Wall Preparation - on Existing Wall (for New Wall see page 2)

1 Mark the position and length (L) of required slit on the wall using Part A. Cut slit into wall, 15/8" high, with plaster saw

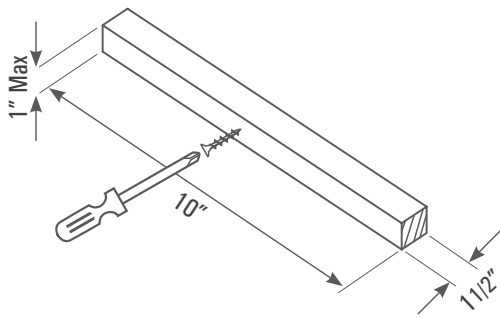


2 Add studs in correct positions as per table above. The studs at each end must be 2" from the edge

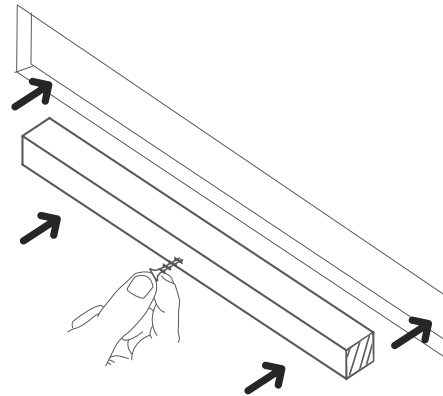


W = Distance based on the table

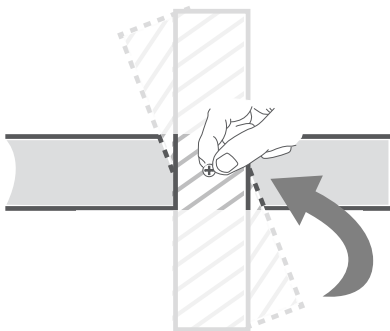
3 Add new stud with dimensions below. Partially screw in long screw to center



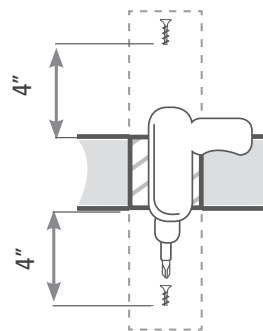
4 Place stud in to the slit



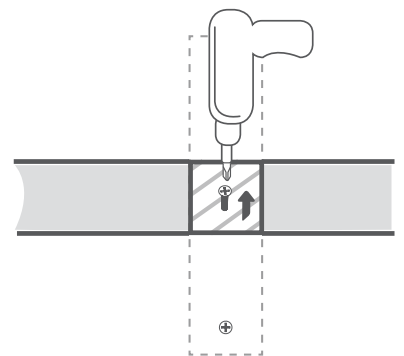
5 Using the partially inserted screw as a handle, rotate the new stud to the perpendicular position



6 Secure with Dry Wall Screw, 4" above and below the slit



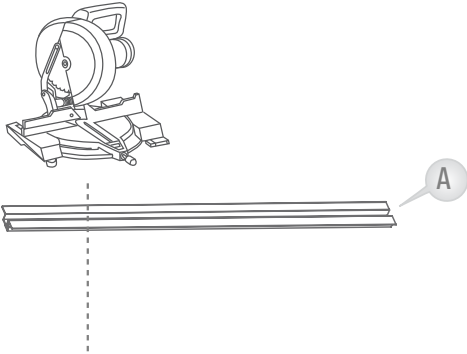
7 Unscrew the center screw from the stud



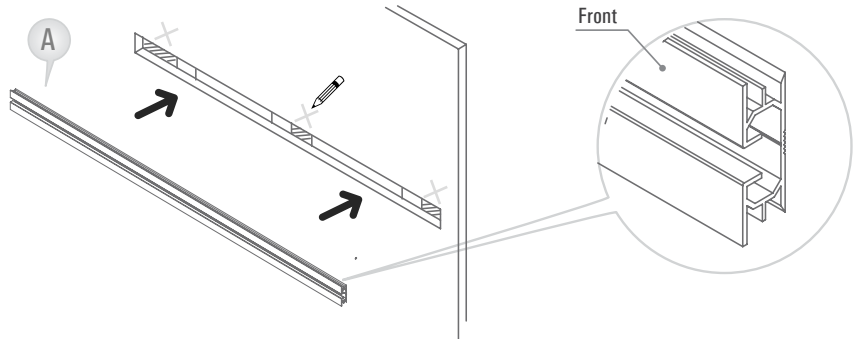
UniSlat Basic - For DryWall 1/2" Thick

Stage 2 : Installing UniSlat

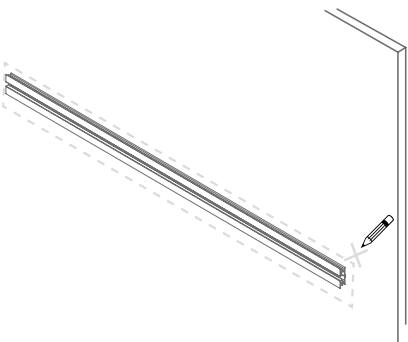
1 Cut Parts A and B to correct length with cutoff saw



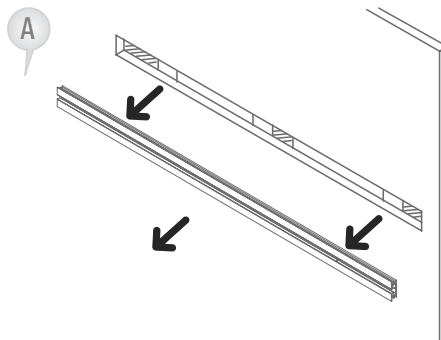
2 Insert Part A in to the slit with the front side up - Don't secure. Mark the location of the studs on the wall above the slit .



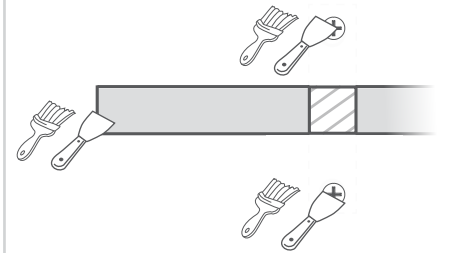
3 Mark the areas that need plaster and paint



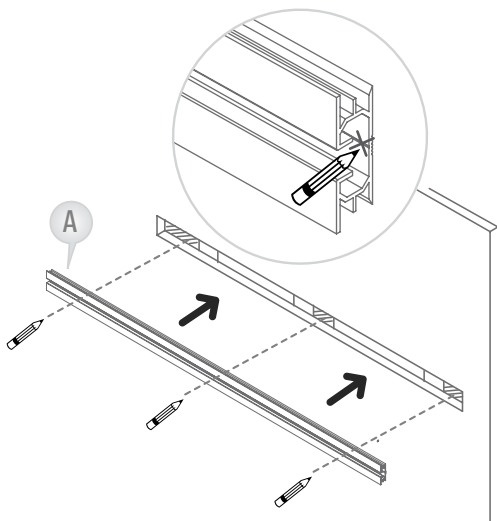
4 Take out Part A from the slit



5 Finish the wall with plaster and paint covering the new screws used to secure any additional studs



6 Mark on Part A the location of the studs. Insert Part A to slit



7 Secure with Flat Self Drilling Screw on the marked points on Part A

