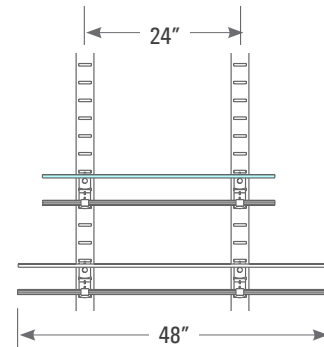
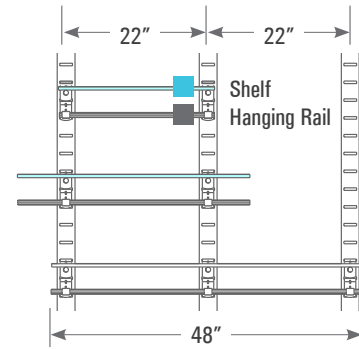


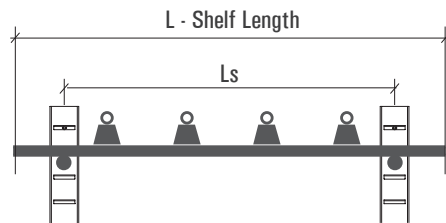
Max Weigh Load -- LBS

SlatStrip

		L - Shelf Width			
		24"	36"	48"	
		Distance Between Supports (Ls)			
Shelf Type	Thickness	20"	32"	24"	36"
Tempered Glass	1/4"	42	22	99	22
	5/16"	70	38	99	38
	3/8"	80*	85	99	85
MDF	3/4"	30	18	50	18
Hanging Bar		66	60	66	60

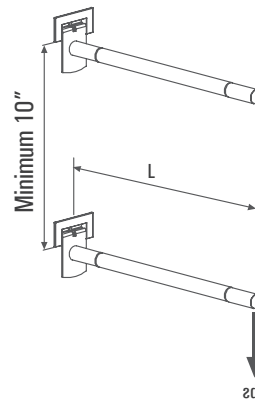


The maximum weight load is based on an evenly distributed weight load between 2 points
 The maximum weight load for regular glass is approximately 1/4 of tempered glass



SoloSlat

Distance from Wall (L)	Dispersed (LBS)	
	Panel	Drywall
Thickness	3/4"	1/2"-5/8"
4"	132	32
6"	121	26
8"	110	22
10"	99	20
12"	88	16
14"	77	10
16"	66	10



The weight load table refers to a panel that contains at least two SoloSlat fixtures with a minimum vertical distance of 10" between one another.

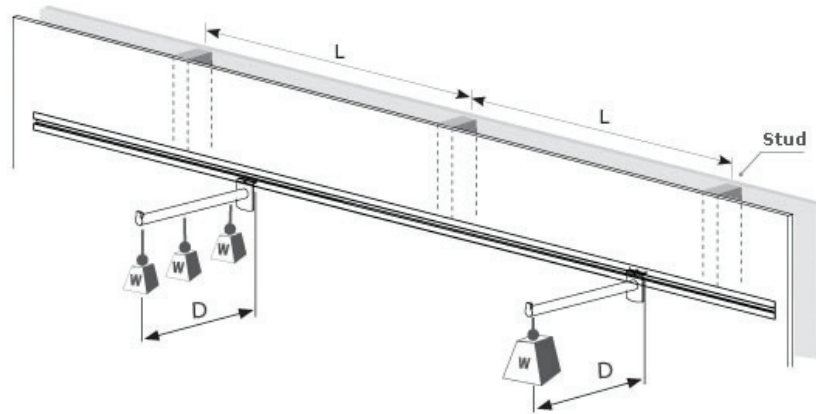
Note: The weight refers to the SoloSlat's ability to support a certain weight load. The final result depends on the type of wall, anchor, hardware and installation. Individual accessory weight loads need to be taken into account.

The maximum weight load is based on an evenly distributed weight load between 2 points
 The maximum concentrated weight load is approximately half the maximum evenly distributed load

Max Weigh Load -- LBS

UniSlat

Determine how many studs are required based on the table below



Distance Between Mounting Points (L)

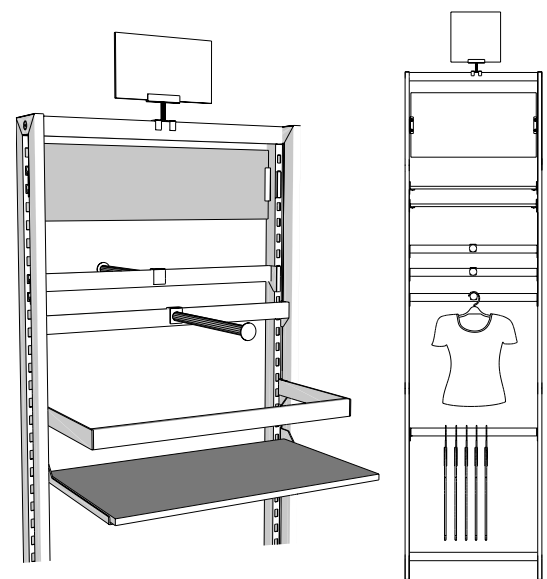
Distance from Wall (D)	Dispersed Load				Concentrated Load			
	8"	12"	16"	20"	8"	12"	16"	20"
	2"	40	22	18	13.2	40	22	18
4"	34	21	13	10	29	18	11	8.8
6"	32	19.5	12	11.5	18	11	7	7
8"	22	14	8.8	5	11	7	4.4	-
10"	13	9	6	3	5.5	4.4	2.2	-
12"	10	7	4.5	2.2	3.5	2	-	-

The Max Weight Load Table above is based on drywall thickness of 1/2" and refers to this item only. The Total Max Weight Load limits for all fixtures and accessories in the display need to be taken in to consideration

Vertik

Max Weight Load

Item #	Description	Max Weight Load
VRS03-WB	26" Wall Unit - Base	400lbs
VRS03-WE	26" Wall Unit - Add-On	200lbs
VRS02-WB	26" FloorStand - Base	330lbs
VRS02-WE	26" FloorStand - Add-On	170lbs
VRS02-FB-36	38" FloorStand - Base	250lbs
VRS02-FE-36	38" FloorStand - Add-On	90lbs
VR19DB/WH	Hanging Rail For Clothing	44lbs
VR110DB/WH	Hanging Rail For Hooks & Accessories	66lbs
VR114DB/WH	12" Faceout Ø3/4"	37lbs
VR123DB/WH	12" Hook Ø5/16"	22lbs
VR115DB/WH	10" Shelf Bracket for 10"-12" shelves	55lbs Per Shelf
VR116DB/WH	14" Shelf Bracket for 12"-14" shelves	44lbs Per Shelf
VR119DB/WH	Side Sign/Mirror	22lbs
VR118DB/WH	Sign Displayer	9lbs
VR140DB/WH	Shoe Display – Rectangle Shelf	10lbs



Max Weigh Load -- LBS

In this file you can find the maximum weight load for each system for shelves and accessories.
For more assistance contact our customer service amit@udizine.com

Cable System

Shelf Type	Thickness	Distance Between Supports (Ls)	
		24"	36"
Tempered Glass	1/4"	55*	42
	5/16"	55*	55*
	3/8"	55*	55*
MDF	3/4"	55*	30
Hanging Bar	Ø 3/4"	77	70
Hanging Bar - lbs Per Support			
Banner		9	
Sign Panel		18	

*Limited by weight load capacity of shelf supports

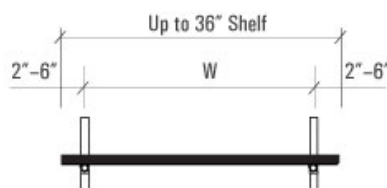
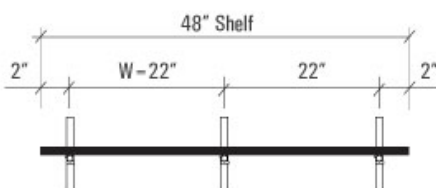
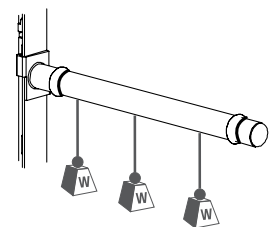
** UDIZINE recommends using tempered glass shelves only! If you plan to install regular glass shelves, note that the maximum weight load for regular glass is approx. 1/4 of tempered glass. The maximum weight load is based on an evenly distributed weight load between 2 points. The maximum concentrated weight load is approximately half the maximum evenly distributed load.

Tube System

Shelf Type	Thickness	Distance Between Supports (Ls)	
		24"	36"
Tempered Glass	1/4"	89	42
	5/16"	120*	70
	3/8"	120*	120*
MDF	3/4"	80	30
Hanging Bar - lbs Per Support			
Banner/ Sign Panel		18	
Poster		44	

Blade System

Glass Shelves D	Glass Shelf L		Shoe Displayer
	48"	Up to 36"	
6"- 8"	3 Strips 40lbs	2 Strips 25lbs	4lbs
10"	33lbs	22lbs	



The Maximum Weight Load Table above is based on an evenly distributed weight load and refers to this item only. The weight load limits for all fixtures and accessories in the display need to be taken in to consideration.

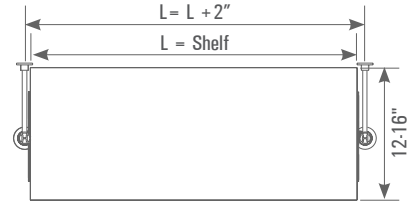
Max Weigh Load -- LBS

Palo System

Shelves and Hanging Bars

Shelf Type	Thickness	Distance Between Supports (Ls)		
		24"	36"	48"
Tempered Glass	1/4"	88*	42	--
	5/16"	88*	70	--
	3/8"	88*	88*	44
MDF	3/4"	80	30	20
Hanging Bar				
Disperesed Load		81	55	40
Concentrated Load		99	66	25

*Limited by weight load capacity of Palo shelf supports
 Note: Total weight load for setting also needs to be taken in to account



Dispalysers

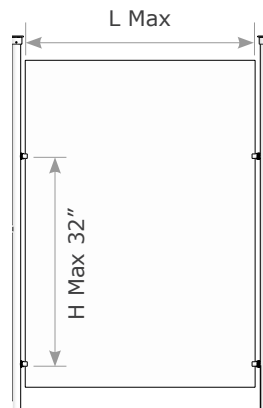
	SKU#	Length	Ø Diameter	lbs
Palo pole - 8" from wall	PSK-F01	92"	1-3/8"	350lbs
Palo pole - 12" from wall	PSK-F02	92"	1-3/8"	350lbs
Shelving Bracket - See below	PSK-S04	9 3/4"	—	88lbs
Recatangular Bar	PSK-SR24	24"	—	81lbs
	PSK-SR48	48"	—	40lbs
Round Bar	PSK-S01	24"	1"	81lbs
	PSK-S02	36"	1"	55lbs
Hook	PS16PL	15 1/2"	3/4"	25lbs
Faceout	PS19PL	8"	1/4"	15lbs
Clamps for Signage- See below	PSK-S03	—	—	22lbs
Displays	—	—	—	4.5lbs

Signage

Material	Item#	Thickness	L-Max
Acrylic/ Mirror	PS116AN	3/16"	32"
		1/4"	36"
		1/4"	24"
PVC Foam	PS18AN	3/8"	36"
		1/2"	48"

L=Distance between 2 mounting points based on panel thickness and material type

Multiple Support



Single Support

